

Breaker control switch AC Model T-1, 25A



Picture is an example

**Standards: IEC 60947-1 & 3
Quality**

ISO 9001:2015



Electrical data (according to IEC 60947-3)

Thermal current I_{th}	32A
Rated impulse withstand voltage U _{imp} (kV)	6
AC rated operational current, I _e	25A
AC rated operational voltage U _e	415V

AC Rated operational power, P_e		P_e
Voltage	Category of operation	
3x415 V	AC23A	11KW
3x415V	AC3	7.5 KW

Short-circuit behavior

Rated max.current of gL-gG fuses	25A
Conditional short-circuit current (rms value)	10KA

Connection capacity

Rigid copper conductor (mm ²)	2x6
Flexible copper conductor (mm ²)	2x4


Codes

Case size (A)	Scheme	Code	Switching Angle
25	8No + 8Nc	BC108L003	60°

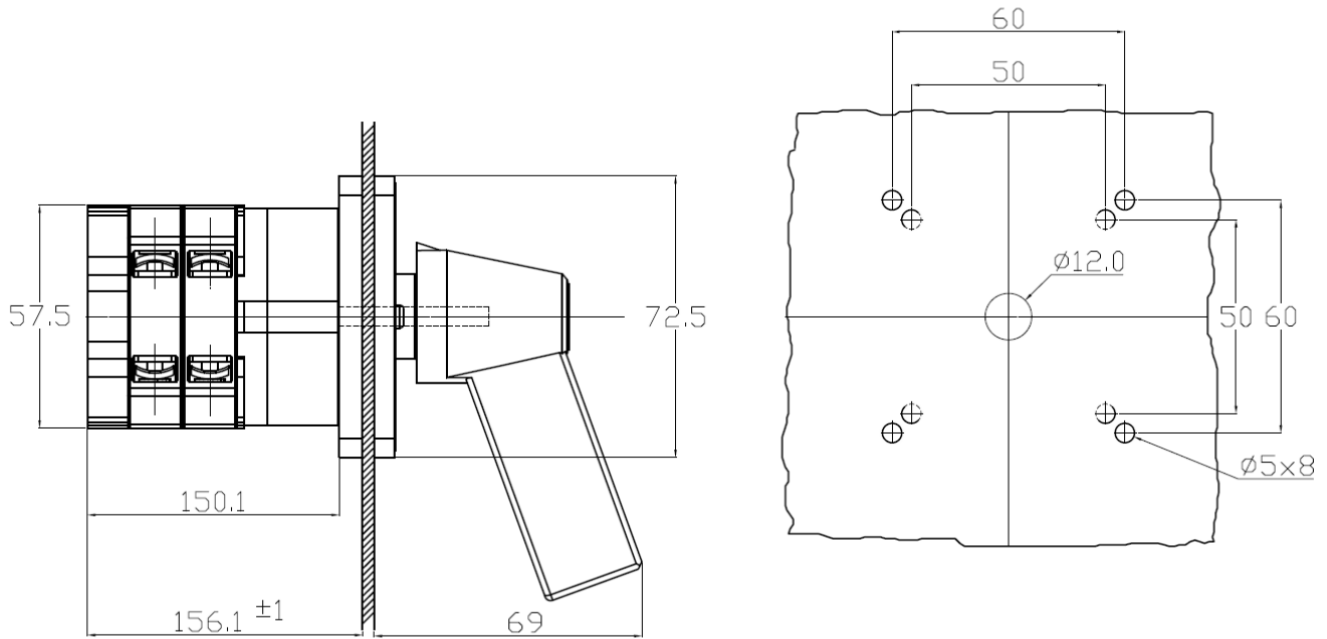
Accessories

With lever handle
Without LMD and seq lock

You will find detailed information about our products on our web site www.india.gorlanteam.com

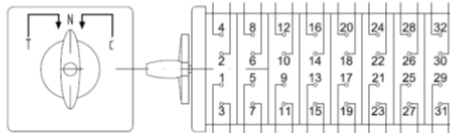
	Breaker Control Switch BC108L003	<small>GORLAN INDIA. Data subject to change without notice (printed: 23/06/2020)</small>
---	---	--

Dimension



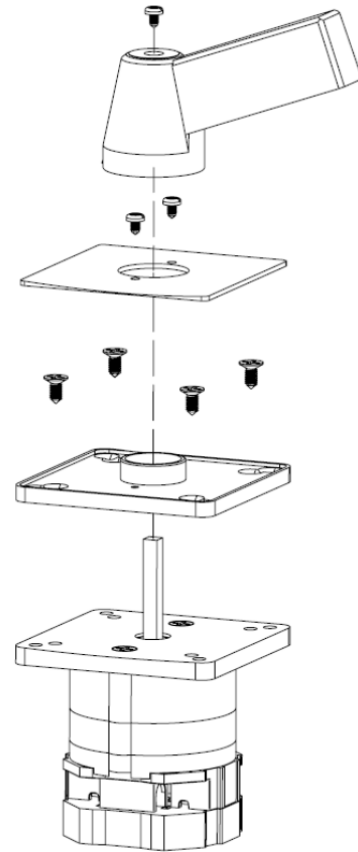
Electrical diagram & fixing

ELECTRICAL DIAGRAM No:



	T	N	C
1 = 2	X		
3 = 4			X
5 = 6	X		
7 = 8			X
9 = 10	X		
11 = 12			X
13 = 14	X		
15 = 16			X
17 = 18	X		
19 = 20			X
21 = 22	X		
23 = 24			X
25 = 26	X		
27 = 28			X
29 = 30	X		
31 = 32			X

Ref: BC108L003
8No + 8NC
8 break chambers



You will find detailed information about our products on our web site www.india.gorlanteam.com



Breaker Control Switch
BC108L003

GORLAN INDIA.
 Data subject to change without
 notice (printed: 23/06/2020)