

Data sheet:**Cam switch AC
Model T-25***Picture is an examples*
**Standards: IEC 60947-1 & 3
Quality**

ISO 9001:2008

**Electrical data (according to IEC 60947-3)**

Thermal current I_{th}	25A
Rated insulation voltage U _i	500V
Rated impulse withstand voltage U _{imp}	6KV

Ac rated operational current	I_e
415V AC21A	25A
415V AC22A	25A
690V AC21A	25A

AC Rated operational power		
Voltage	Category of operation	Pe.
3x240V	AC23A	4
3x415V	AC23A	7.5
3x415V	AC3	5.5

Short-circuit behaviour	
Rated breaking capacity(400V:PF.45)	100A
Short-time withstand current (1 sec) (rms)	400A
Conditional short-circuit current (rms value)	10KA
Rated max.current of gL-gG fuses	25A
Mechanical durability (In millions)	1

Connection capacity	
Rigid copper conductor (mm ²)	2x4
Flexible copper conductor (mm ²)	2x2.5


Codes

Case size (A)	Scheme	Color	Code	Special
Size 1	2P CHO	Red/Yellow	T-0002500401ENRH14	N/A

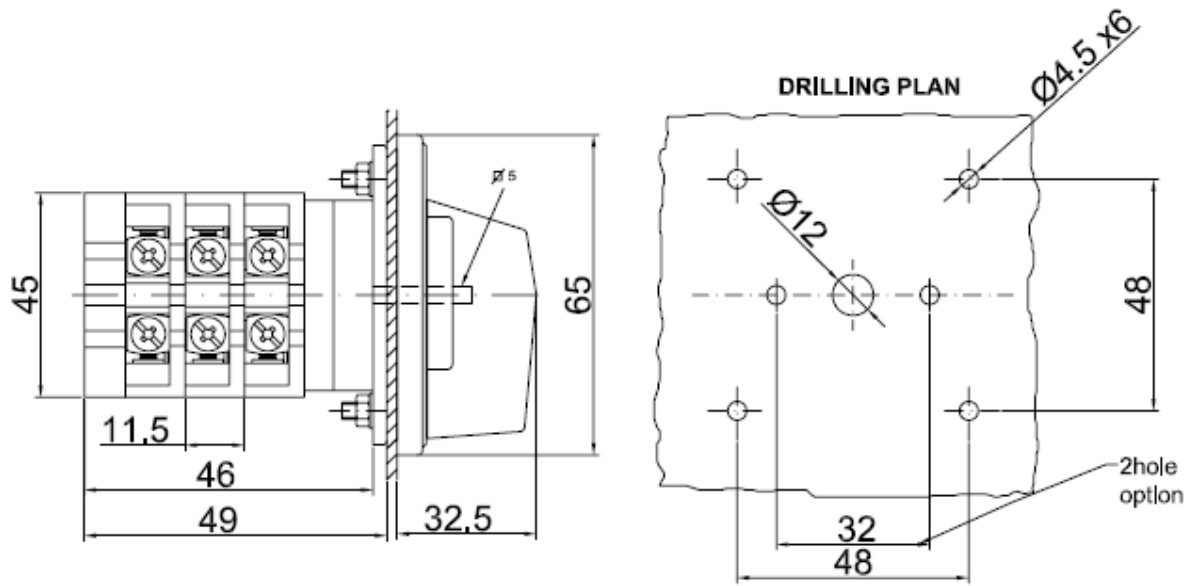
Accessories

STD accessories

You will find detailed information about our products on our web site www.gtswitches.com

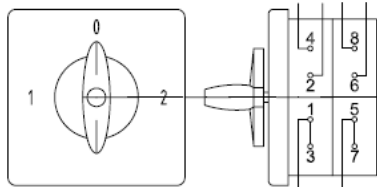
	Cam Switch T-0002500401ENRH14	GEM TELERGON. <i>Data subject to change without notice (printed: 16/05/2015)</i>
---	--	--

Dimension



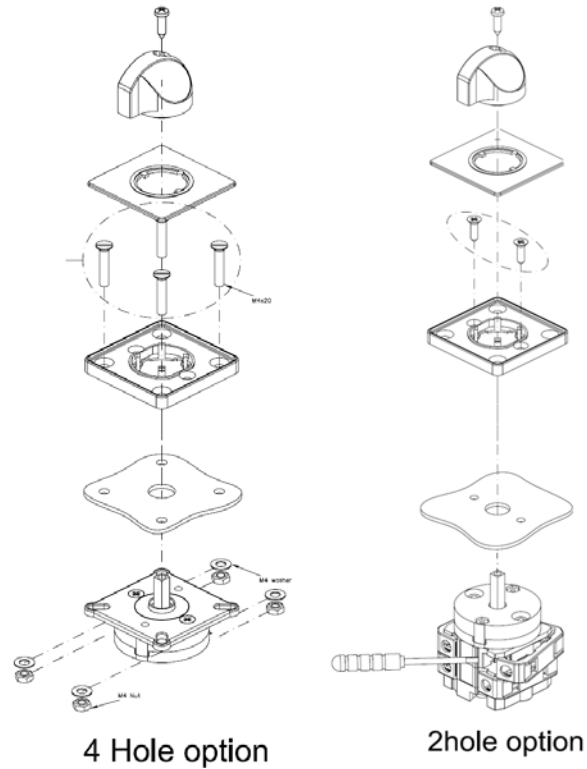
Electrical diagram & Fixing

ELECTRICAL DIAGRAM No



	1	0	2
1 = 2	X		
3 = 4			X
5 = 6	X		
7 = 8			X

Ref: 25A 401
 2P CHO Switch
 2 break chambers



You will find detailed information about our products on our web site www.gtswitches.com



Cam Switch
 T-0002500401ENRH14

GEM TELERGON.
 Data subject to change without
 notice (printed: 16/05/2015)