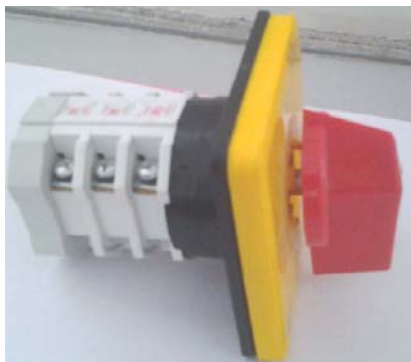


Data sheet:**Cam switch AC
Model 6A***Picture is an examples*
**Standards: IEC 60947-1 & 3
Quality**

ISO 9001:2008



ISO 9001:2008

www.tuv.com
ID 9105072142**Electrical data (according to IEC 60947-3)**

Thermal current I_{th}	12A
---------------------------------------	------------

Rated insulation voltage U _i	500V
---	------

Rated impulse withstand voltage U _{imp}	4KV
--	-----

Ac rated operational current	I_e
-------------------------------------	----------------------

415V	AC21A	6A
------	-------	----

415V	AC22A	9A
------	-------	----

AC Rated operational power

Voltage	Category of operation	P_e
----------------	------------------------------	----------------------

3x240V	AC23A	1.5
--------	-------	-----

3x415V	AC23A	2
--------	-------	---

3x415V	AC3	1.5
--------	-----	-----

Short-circuit behaviour

Rated breaking capacity(400V:PF.45)	I _{cm}	-
-------------------------------------	-----------------	---

Short-time withstand current (1 sec) (rms)	I _{cw}	-
--	-----------------	---

Conditional short-circuit current (rms value)		3KA
---	--	-----

Rated max.current of gL-gG fuses		6A
----------------------------------	--	----

Mechanical durability (In millions)		1
-------------------------------------	--	---

Connection capacity

Rigid copper conductor (mm ²)	0.7-1.5
---	---------

Flexible copper conductor (mm ²)	0.7-1.5
--	---------

Codes

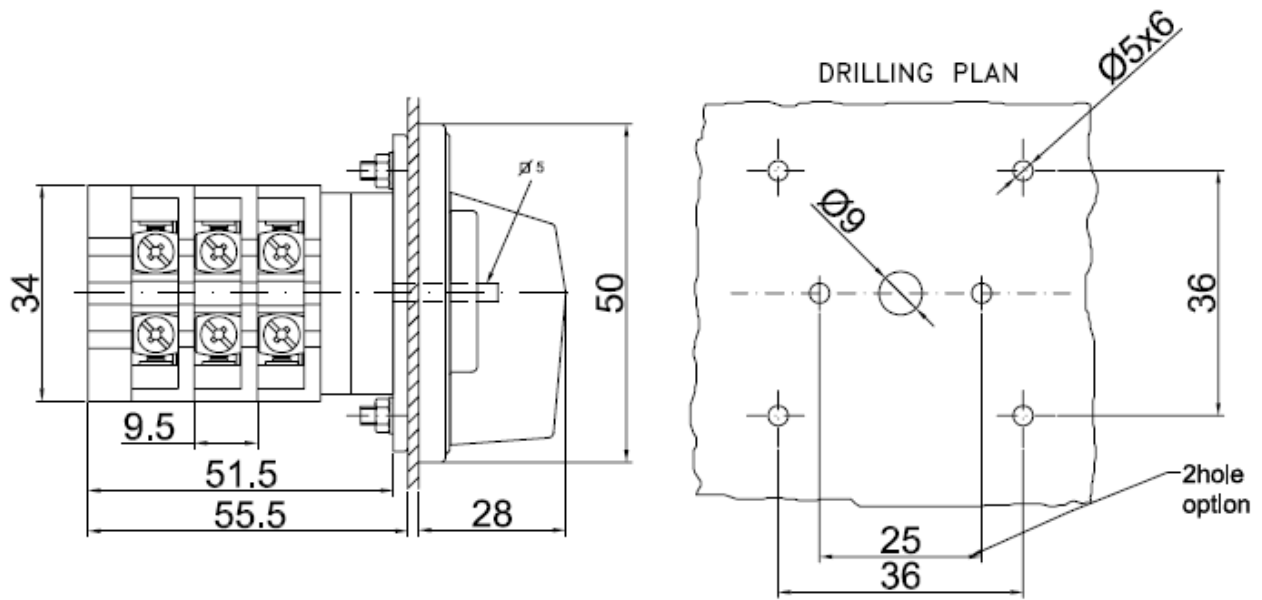
Case size (A)	Scheme	Code	Color	Special
Size 00	4P CHO	T-0000600403ENB114 T-0000600403ENRD14	Black Red	NA

Accessories

STD accessories

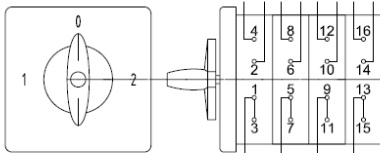
You will find detailed information about our products on our web site www.gtswitches.com
Cam Switch
T-0000600403ENB114
T-0000600403ENRD14
GEM TELERGON.
 Data subject to change without
 notice (printed: 15.10.2014)

Dimension



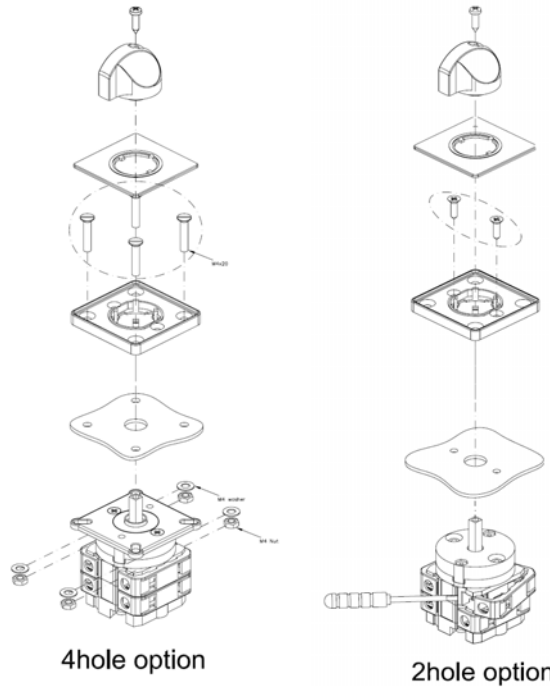
Electrical diagram & Fixing

ELECTRICAL DIAGRAM :



	1	0	2
1 — 2	X		
3 — 4			X
5 — 6	X		
7 — 8			X
9 — 10	X		
11 — 12			X
13 — 14	X		
15 — 16			X

Ref: 6A 403
4P CHO switch
4 break chambers



You will find detailed information about our products on our web site www.gtswitches.com



Cam Switch
T-0000600403ENB114
T-0000600403ENRD14

GEM TELERGON.
Data subject to change without
notice (printed: 15.10.2014)