

**Breaker control switch AC
Model T-1, 25A**



Picture is an example

**Standards: IEC 60947-1 & 3
Quality**

ISO 9001:2008



Electrical data (according to IEC 60947-3)

Thermal current I_{th}	32A
Rated impulse withstand voltage U _{imp} (kV)	6
AC rated operational current , I _e	25A
AC rated operational voltage U _e	415V

AC Rated operational power ,P_e		
Voltage	Category of operation	P_e
3x415 V	AC23A	11KW
3x415V	AC3	7.5 KW

Short-circuit behavior

Rated max.current of gL-gG fuses	25A
Conditional short-circuit current (rms value)	10KA

Connection capacity

Rigid copper conductor (mm ²)	2x6
Flexible copper conductor (mm ²)	2x4

Codes

Case size (A)	Scheme	Code	Switching Angle
25	2T + 1C	BC114L003	60°

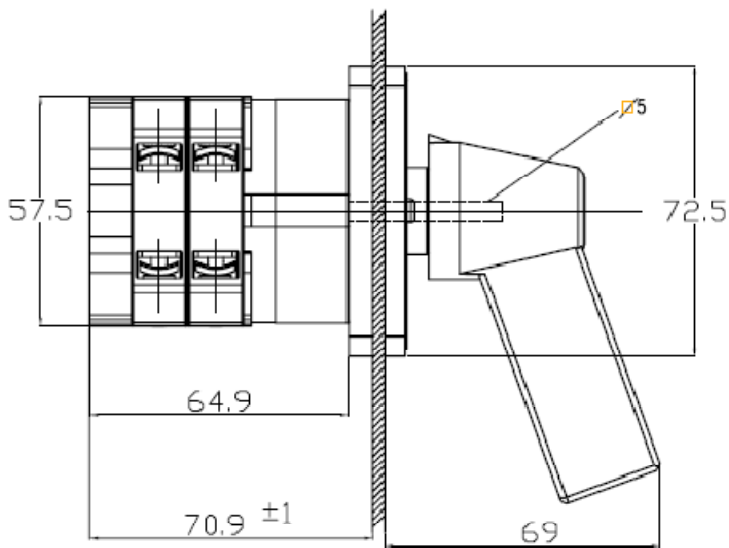
Accessories

Pistol grip handle

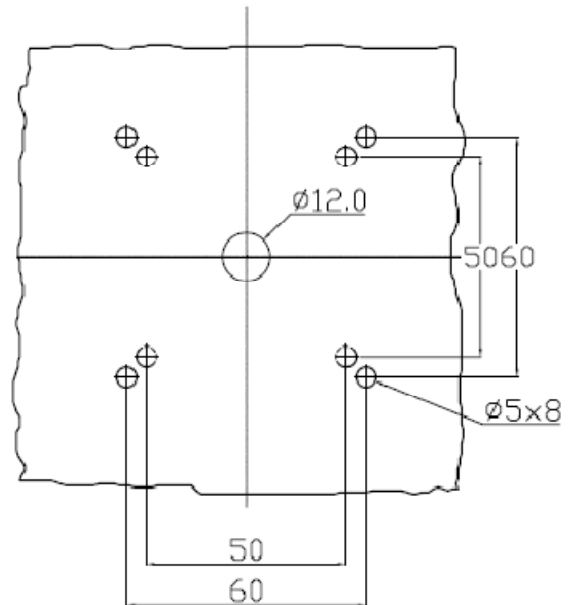
You will find detailed information about our products on our web site www.gtswitches.com

	Breaker Control Switch BC114L003	<i>GORLAN INDIA. Data subject to change without notice (printed: 16/12/2015)</i>
--	---	--

Dimension

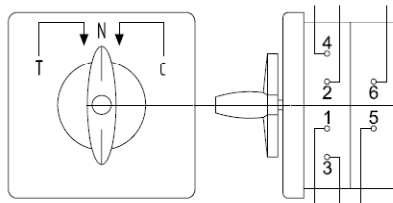


DRILLING PLAN



Electrical diagram & fixing

ELECTRICAL DIAGRAM No

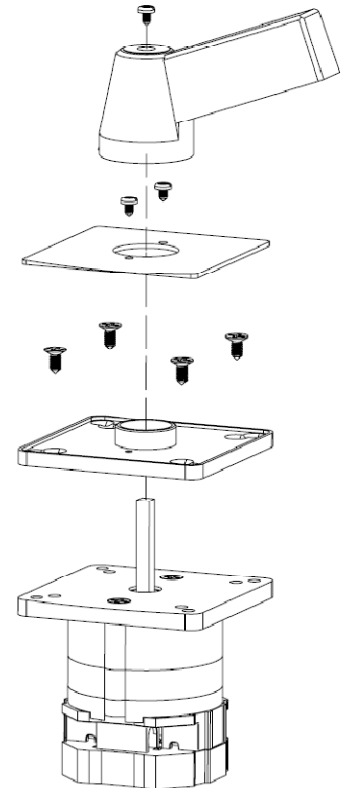


	T	N	C
1 1 — = — 2	X		
2 3 — = — 4	X		
3 5 — = — 6			X

Ref: BC114L003

2T+1C

2 break chambers



You will find detailed information about our products on our web site www.gtswitches.com



**Breaker Control Switch
BC114L003**

GORLAN INDIA.
Data subject to change without
notice (printed: 16/12/2015)