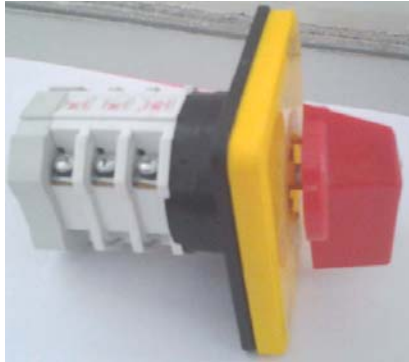


Data sheet:**Cam switch AC
Model 63A***Picture is an examples***Standards: IEC 60947-1 & 3
Quality**

ISO 9001:2008



ISO 9001:2008

www.tuv.com
ID 9105072142**Electrical data (according to IEC 60947-3)**

Thermal current I_{th}	63A
Rated insulation voltage U _i	690V
Rated impulse withstand voltage U _{imp}	8KV

Ac rated operational current	I_e
415V AC21A	63A
415V AC22A	50A
690V AC21A	50A

AC Rated operational power	Category of operation	P_e
3x240V	AC23A	15
3x415V	AC23A	18.5
3x415V	AC3	15

Short-circuit behaviour	
Rated breaking capacity(400V:PF.45)	320A
Short-time withstand current (1 sec) (rms)	800A
Conditional short-circuit current (rms value)	10KA
Rated max.current of gL-gG fuses	50A
Mechanical durability (In millions)	1

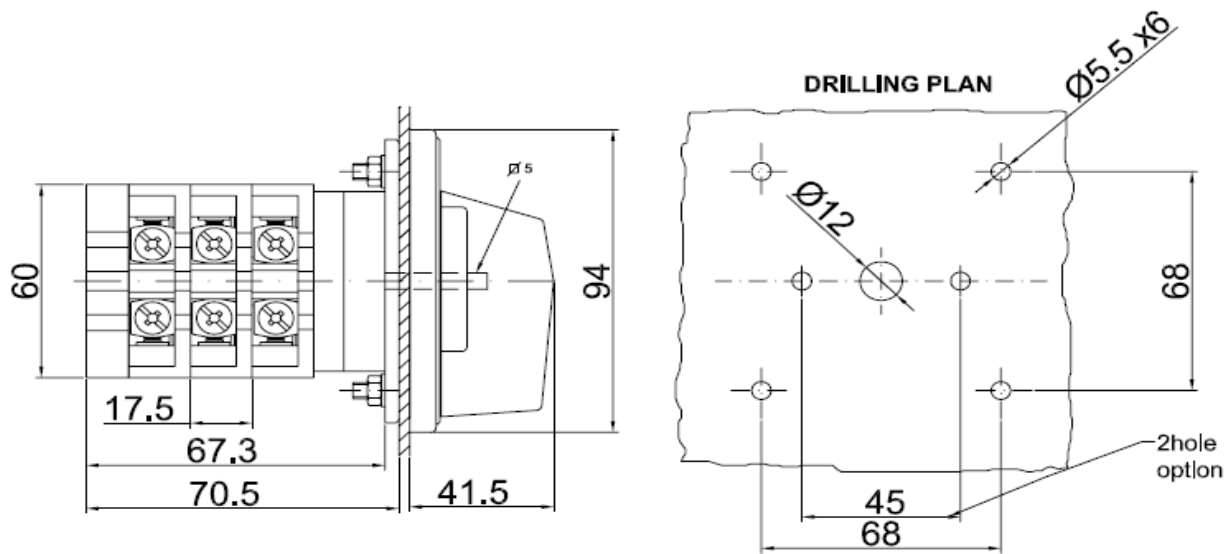
Connection capacity	
Rigid copper conductor (mm ²)	2x10
Flexible copper conductor (mm ²)	2x6

Codes

Case size (A)	Scheme	Code	Special
Size 2	2P CHO	T-0006300401ENRH14	N/A

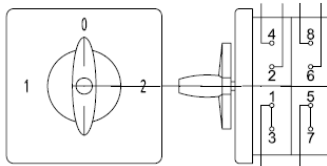
**Accessories
STD**You will find detailed information about our products on our web site www.gtswitches.com**Cam Switch
T-0006300401ENRH14**GEM TELERGON.
Data subject to change without
notice (printed:06/08/2014)

Dimension



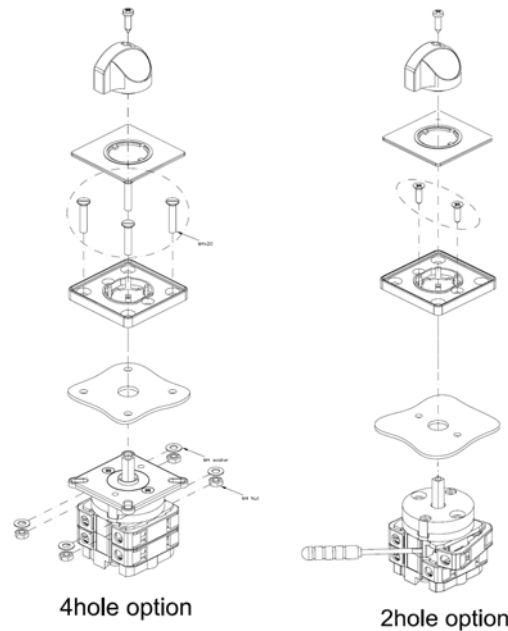
Electrical diagram & Fixing

ELECTRICAL DIAGRAM No



	1	0	2
1 = 2	X		
3 = 4			X
5 = 6	X		
7 = 8			X

Ref: 63A 401
 2P CHO Switch
 2 break chambers



You will find detailed information about our products on our web site www.gtswitches.com



Cam Switch
 T-0006300401ENRH14

GEM TELERGON.
 Data subject to change without
 notice (printed:06/08/2014)