

## Data sheet:

### Cam switch AC Model T-63

**gem telergon**  
gorlan team



Picture is an examples

### Standards: IEC 60947-1 & 3 Quality

ISO 9001:2008



ISO 9001:2008

www.tuv.com  
ID 9105072142

### Electrical data (according to IEC 60947-3)

<b>Thermal current I<sub>th</sub></b>	<b>63A</b>
Rated insulation voltage U <sub>i</sub>	690V
Rated impulse withstand voltage U <sub>imp</sub>	8KV

<b>Ac rated operational current</b>	<b>I<sub>e</sub></b>
415V AC21A	63A
415V AC22A	50A
690V AC21A	50A

<b>AC Rated operational power</b>	<b>Category of operation</b>	<b>P<sub>e</sub></b>
<b>Voltage</b>		
3x240V	AC23A	15
3x415V	AC23A	18.5
3x415V	AC3	15

<b>Short-circuit behaviour</b>	
Rated breaking capacity(400V:PF.45)	320A
Short-time withstand current (1 sec) (rms)	800A
Conditional short-circuit current (rms value)	10KA
Rated max.current of gL-gG fuses	50A
Mechanical durability (In millions)	1

<b>Connection capacity</b>	
Rigid copper conductor (mm <sup>2</sup> )	2x10
Flexible copper conductor (mm <sup>2</sup> )	2x6

### Codes

Case size (A)	Scheme	Color	Code	Special
Size 2	2P CHO	Black/Grey	T-0006300401ENBI14	N/A

### Accessories

STD accessories

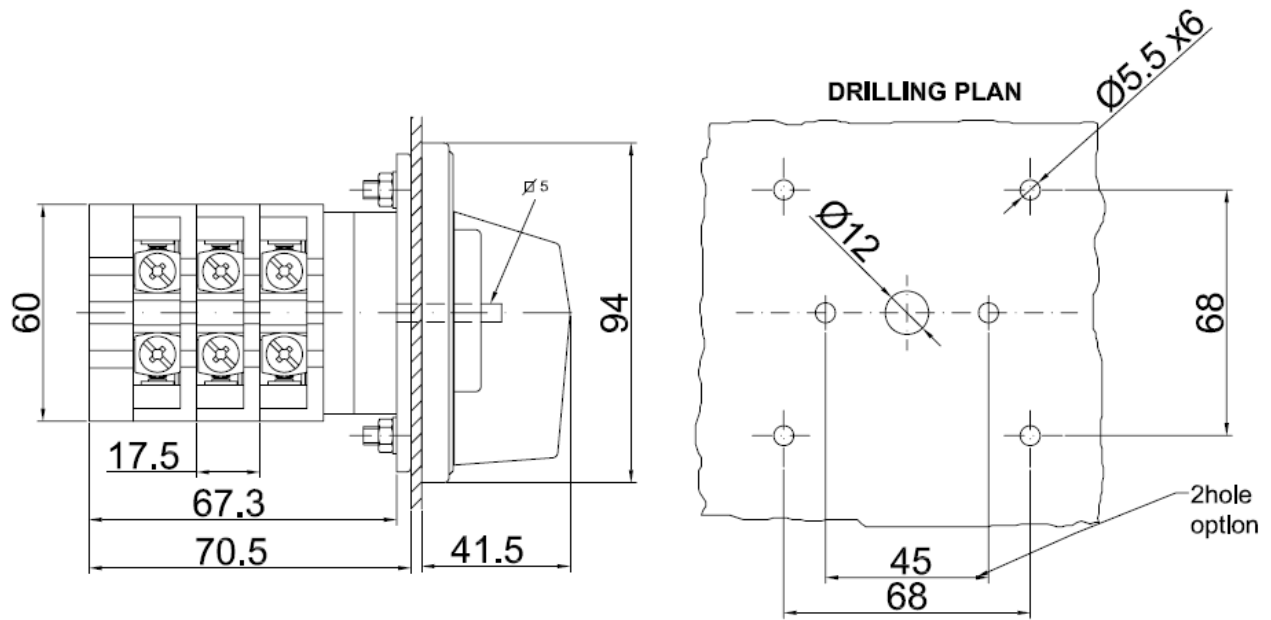
You will find detailed information about our products on our web site [www.gtswitches.com](http://www.gtswitches.com)



**Cam Switch**  
**T-0006300401ENBI14**

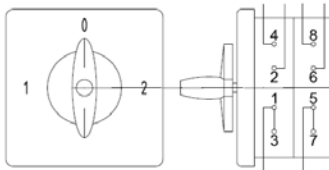
GEM TELERGON.  
Data subject to change without  
notice (printed: 06/09/2014)

# Dimension



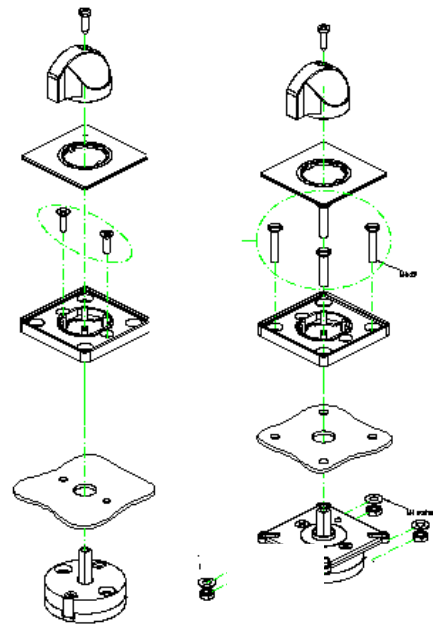
# Electrical diagram & Fixing

## ELECTRICAL DIAGRAM No



	1	0	2
1 = 2	X		
3 = 4			X
5 = 6	X		
7 = 8			X

Ref: 63A 401  
 2P CHO Switch  
 2 break chambers



2 Hole option

4 Hole option

You will find detailed information about our products on our web site [www.gtswitches.com](http://www.gtswitches.com)



Cam Switch  
 T-0006300401ENBI14

GEM TELERGON.  
 Data subject to change without  
 notice (printed: 06/09/2014)