

Data sheet:

Cam switch AC Model 63A

gem telergon
gorlan team



Picture is an examples

Electrical data (according to IEC 60947-3)

Thermal current I_{th}(rating /contact) 63A

Rated insulation voltage U_i 690V

Rated impulse withstand voltage U_{imp} 8kV

Ac rated operational current, I_e

415V AC21A 63A

415V AC22A 50A

690V AC21A 50A

Standards: IEC 60947-1 & 3

Quality

ISO 9001:2008



AC Rated operational power, P_e

Voltage (DC)	Category of operation	Per con.
--------------	-----------------------	----------

3x240V	AC23A	15
--------	-------	----

3x415V	AC23A	18.5
--------	-------	------

3x415V	AC3	15
--------	-----	----

Short-circuit behaviour

Rated breaking capacity(400V:PF.45) I_{cm} 320A

Short-time withstand current (1 sec) (rms) I_{cw} 800A

Conditional short-circuit current (rms value) 10kA

Rated max.current of gL-gG fuses 50A

Mechanical durability (In millions) 1

Connection capacity

Rigid copper conductor (mm²) 2X10

Flexible copper conductor (mm²) 2X6

Codes

Case size (A)	Scheme	Code	Special
Size 1	1P CHO	T-0006300400ENB114	N/A

Accessories

STD accessories

Handle assembly T1

Accessories kit T1

Name plate T1

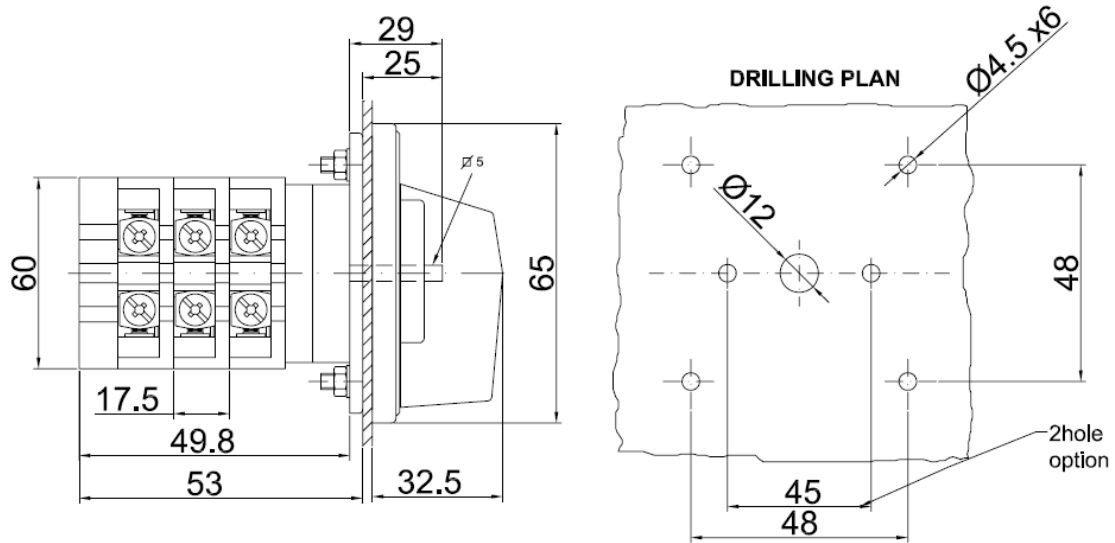
You will find detailed information about our products on our web site www.gtswitches.com



Cam Switch
T-0006300400ENB114

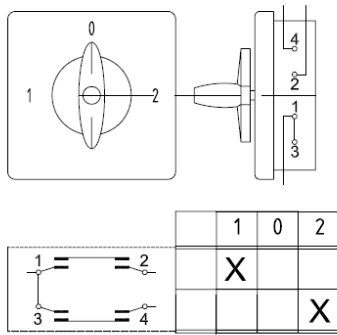
GEM TELERGON.
Data subject to change without
notice (printed: 26/11/2013)

Dimension

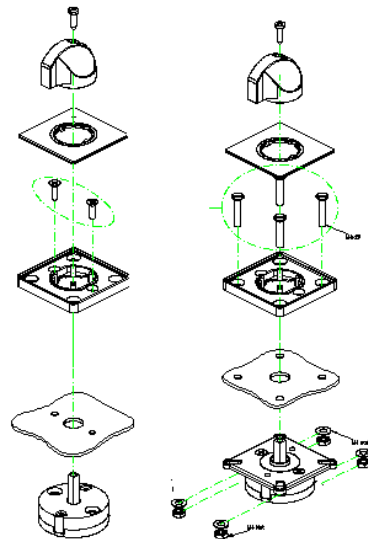


Electrical diagram & Fixing

ELECTRICAL DIAGRAM No



Ref: 63A 400
 1P CHO Switch
 1 break chambers



2 Hole option

4 Hole option

You will find detailed information about our products on our web site www.gtswitches.com



Cam Switch
 T-0006300400ENB114

GEM TELERGON.
 Data subject to change without
 notice (printed: 26/11/2013)