

## Data sheet:

### Breaker control switch AC Model T-1, 25A

gem telergon  
gorlan team

#### Electrical data (according to IEC 60947-3)



Picture is an example

**Standards: IEC 60947-1 & 3  
Quality**

ISO 9001:2008



<b>Thermal current I<sub>th</sub></b>	<b>32A</b>
Rated insulation voltage U <sub>i</sub> (V)	690
Rated impulse withstand voltage U <sub>imp</sub> (kV)	6
AC rated operational current, I <sub>e</sub>	25A
AC rated operational voltage U <sub>e</sub>	415V

<b>AC Rated operational power, P<sub>e</sub></b>		
<b>Voltage</b>	<b>Category of operation</b>	<b>P<sub>e</sub></b>
3x415 V	AC23A	11 kw
3x415V	AC3	7.5 KW

#### Short-circuit behaviour

Rated max.current of gL-gG fuses	25A
Conditional short-circuit current (rms value)	10KA

#### Connection capacity

Rigid copper conductor (mm <sup>2</sup> )	2x6
Flexible copper conductor (mm <sup>2</sup> )	2x4

#### DC rating

24V	25A
-----	-----

#### Codes

Case size (A)	Scheme	Code	Special
25	2nos on both side	BC402L003	NA

#### Accessories

With pistol grip handle

With sequence lock

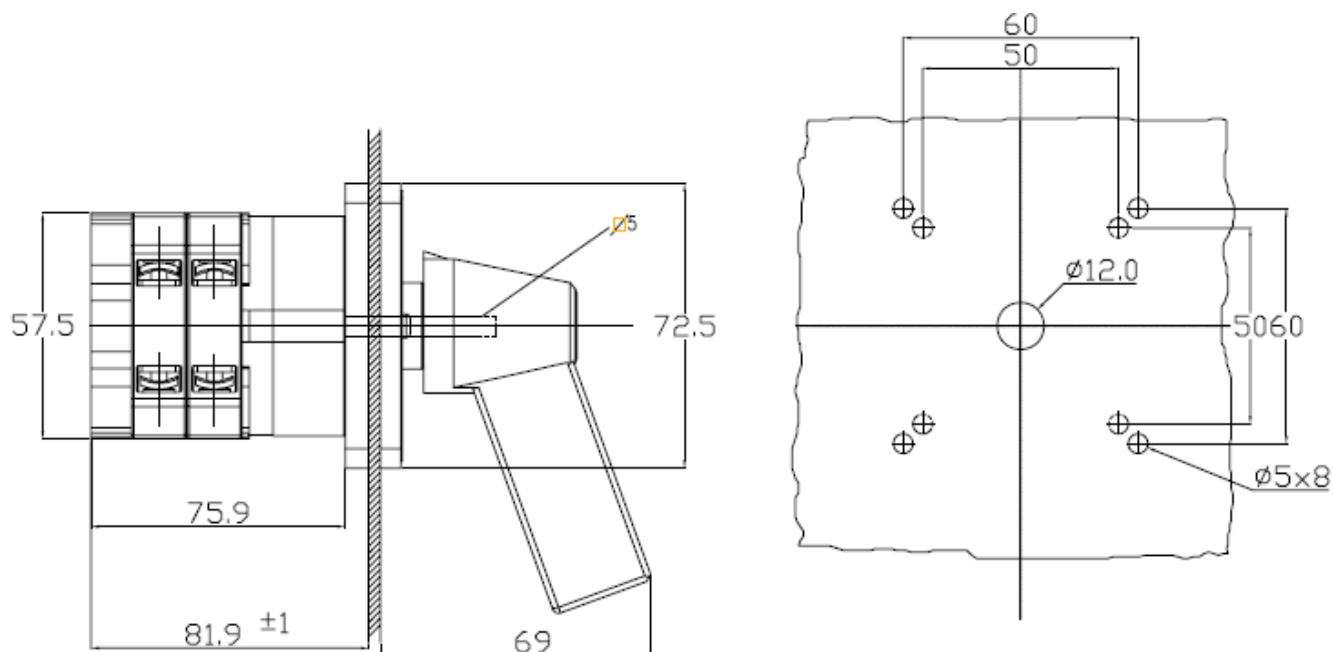
You will find detailed information about our products on our web site [www.gtswitches.com](http://www.gtswitches.com)



**Breaker Control Switch  
BC402L003**

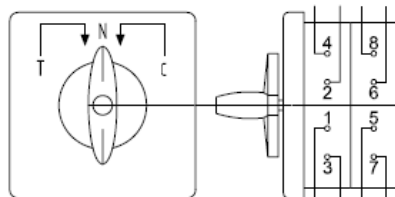
GEM TELERGON.  
Data subject to change without  
notice (printed: 29/12/2014)

## Dimension



## Electrical diagram & fixing

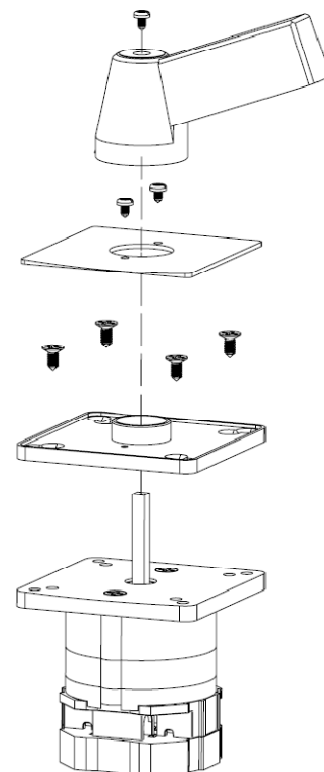
### ELECTRICAL DIAGRAM No



	T	N	C
1 — 2	X		
2 — 3	X		
3 — 4			X
4 — 5			X
5 — 6			
6 — 7			
7 — 8			

BCS

2 nos on both side  
2 break chambers



You will find detailed information about our products on our web site [www.gtswitches.com](http://www.gtswitches.com)



Breaker Control Switch  
BC402L003

GEM TELERGON.  
Data subject to change without  
notice (printed: 29/12/2014)