

Data sheet:

Load break switch DC

Model TFG DC21B 25A 1000V 3+1



Picture is an examples

Standards: IEC 60947-1 & 3

Quality

ISO 9001:2015



Testing as per IEC 60947-3. Approvals

Austrian Institute of Technology



Electrical data (according to IEC 60947-3)

Thermal current I_{th}	50A
Rated insulation voltage U _i (V)	1500
Rated impulse withstand voltage U _{imp} (kV)	6

DC Rated operational current I_e (A)

Voltage (DC)	Category of operation	I _e
1000 V	DC21B	25

** Please consult for other voltages and/or category of operation

Short-circuit behaviour

Short-circuit making capacity (peak value) I _{cm}	300A
Short-time withstand current (1 sec) (rms) I _{cw}	300A
Short-time withstand current (1 hour) (I _{th} *1.25)	62.5A
Conditional short-circuit current (rms value)	N/A

Connection capacity

Stranded or Flex cable -w/o Sleeve (mm ²)	2x6
Stranded or Flex cable -with Sleeve (mm ²)	2x4
Crimp fork lug width (mm) Min 6 - Max	10
Crimp fork lug Thick (mm) Min 0.5 - Max	2
Fork lug (mm ²) Type: ANE2U4	10
Fork lug (mm ²) Type: ANE3U4	16
Tightening torque (Nm)	1.5-2

Mechanical data

Minimum number of operations (as per standard) without load	30000
Maximum weight (kg)	-----

Codes

Case size (A)	Scheme	Code	Special
Size 0	3+1	2416027	1 MPP (4 decks)

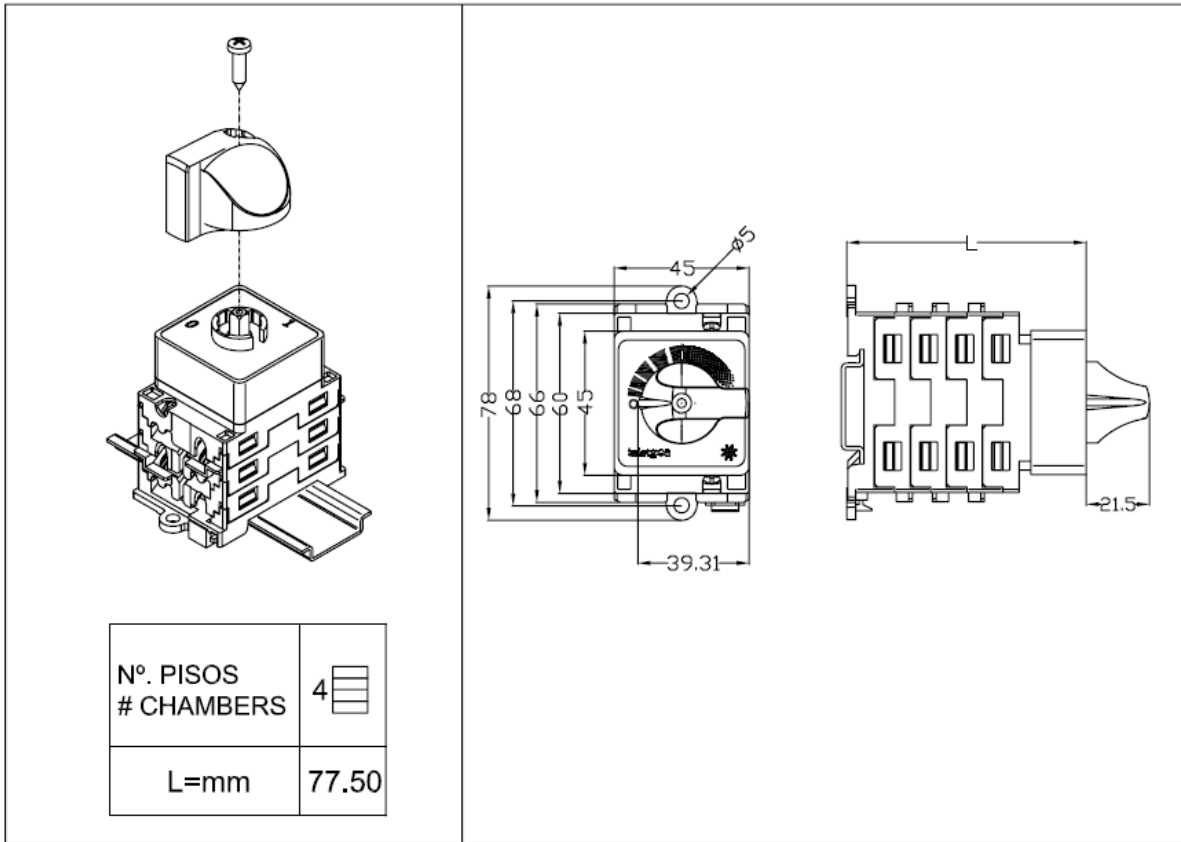
Accessories

STD

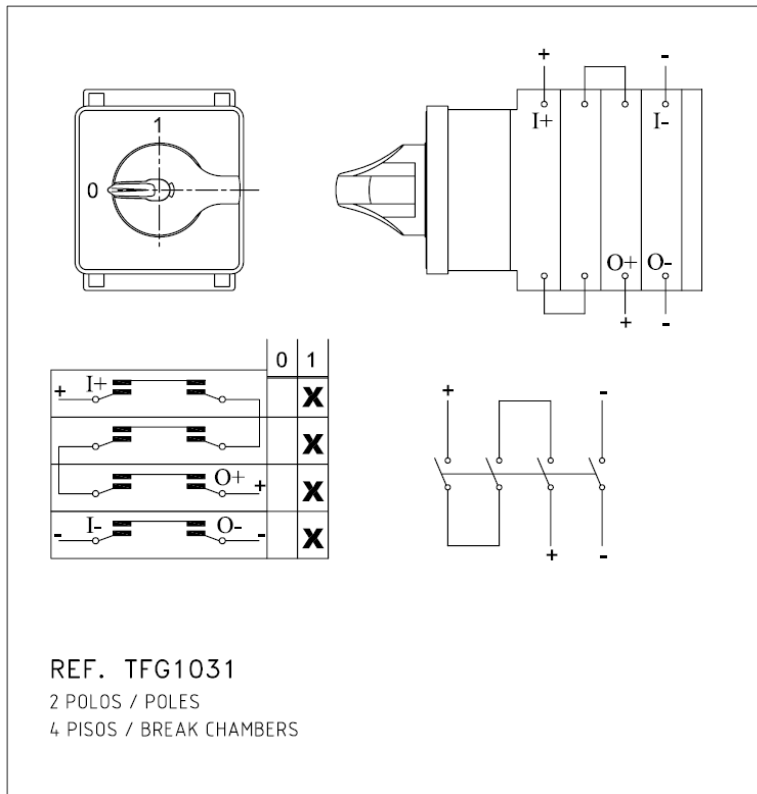
You will find detailed information about our products on our web site www.gtswitches.com

	Load Break Switch 2416027	GORLAN INDIA. Data subject to change without notice (printed: 11/02/2017)
--	--------------------------------------	---

Dimension & fixing



Electrical diagram



You will find detailed information about our products on our web site www.gtswitches.com



Load Break Switch
2416027

GORLAN INDIA.
Data subject to change without
notice (printed: 11/02/2017)