

**Breaker control switch AC
Model T-1, 25A**



Picture is an example

**Standards: IEC 60947-1 & 3
Quality**

ISO 9001:2015



Electrical data (according to IEC 60947-3)

Thermal current I_{th} **32A**

Rated impulse withstand voltage U_{imp} (kV) 6

AC rated operational current, I_e 25A

AC rated operational voltage U_e 415V

AC Rated operational power, P_e

Voltage	Category of operation	P _e
3x415 V	AC23A	11KW
3x415V	AC3	7.5 KW

Short-circuit behavior

Rated max.current of gL-gG fuses 25A

Conditional short-circuit current (rms value) 10KA

Connection capacity

Rigid copper conductor (mm²) 2x6

Flexible copper conductor (mm²) 2x4

Codes

Case size (A)	Scheme	Code	Switching Angle
25	3nos on trip 2nos on close	BC315L02263	60°

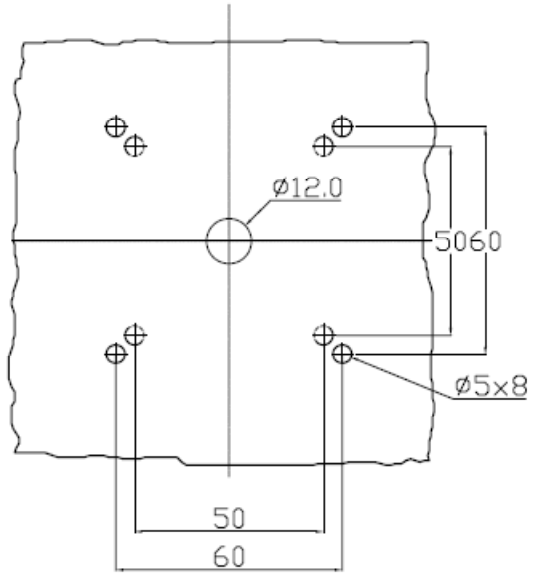
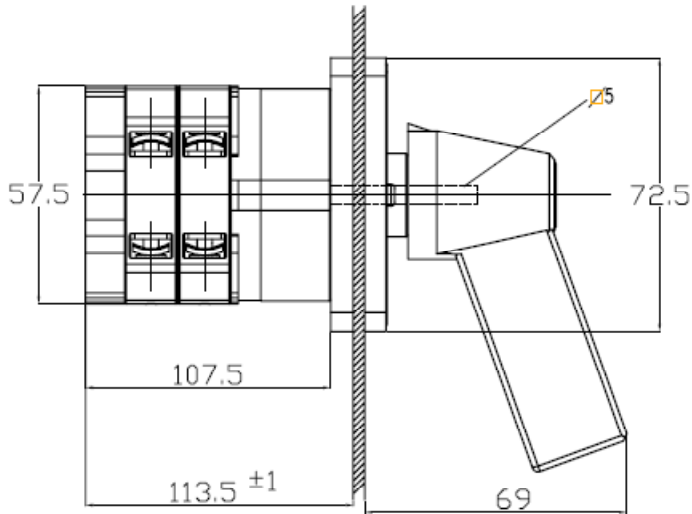
Accessories

Pistol grip handle

You will find detailed information about our products on our web site www.gtswitches.com

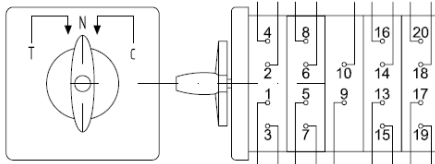
	<p align="center">Breaker Control Switch BC315L02263</p>	<p align="right"><i>GORLAN INDIA. Data subject to change without notice (printed: 02/09/2016)</i></p>
--	---	---

DRILLING PLAN



Electrical diagram & fixing

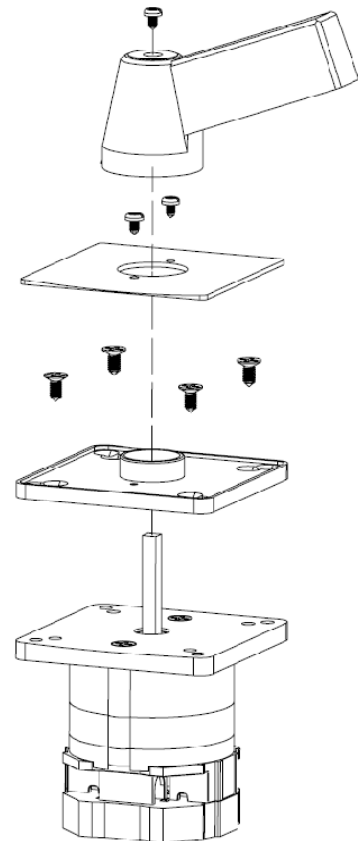
ELECTRICAL DIAGRAM No:



		T	N	C
1	1 — 2	A X		
2	3 — 4	B		X
3	5 — 6	C X		
4	7 — 8	D		X
5	9 — 10	E X		
L1	13 — 14	L2	X	X
L3	15 — 16	L4	X	X
L5	17 — 18	L6 X	X	
L7	19 — 20	L8 X	X	

Ref: BC315L02263

3 nos on Trip
2 nos on close
4 break chambers



You will find detailed information about our products on our web site www.gtswitches.com



**Breaker Control Switch
BC315L02263**

GORLAN INDIA.
Data subject to change without
notice (printed: 02/09/2016)