

## Data sheet:

### Load break switch DC

Model TFG DC21B 25A 1000V 2+1



Picture is an examples

Standards: IEC 60947-1 & 3  
Quality

ISO 9001:2015



Testing as per IEC 60947-3. Approvals

Austrian Institute of  
Technology



### Electrical data (according to IEC 60947-3)

<b>Thermal current I<sub>th</sub></b>	<b>50A</b>
Rated insulation voltage U <sub>i</sub> (V)	1500
Rated impulse withstand voltage U <sub>imp</sub> (kV)	6

### DC Rated operational current I<sub>e</sub> (A)

Voltage (DC)	Category of operation	I <sub>e</sub>
1000 V	DC21B	25

\*\* Please consult for other voltages and/or category of operation

### Short-circuit behaviour

Short-circuit making capacity (peak value) I <sub>cm</sub>	300A
Short-time withstand current (1 sec) (rms) I <sub>cw</sub>	300A
Short-time withstand current (1 hour) (I <sub>th</sub> *1.25)	62.5A
Conditional short-circuit current (rms value)	N/A

### Connection capacity

Stranded or Flex cable -w/o Sleeve (mm <sup>2</sup> )	2x6
Stranded or Flex cable -with Sleeve (mm <sup>2</sup> )	2x4
Crimp fork lug width (mm) Min 6 - Max	10
Crimp fork lug Thick (mm) Min 0.5 - Max	2
Fork lug (mm <sup>2</sup> ) Type: ANE2U4	10
Fork lug (mm <sup>2</sup> ) Type: ANE3U4	16
Tightening torque (Nm)	1.5-2

### Mechanical data

Minimum number of operations (as per standard) without load	30000
Maximum weight (kg)	-----

### Codes

Case size (A)	Scheme	Code	Special
Size 0	2+1	TFG1021EHPN0	1 MPP (3 decks)

### Accessories

STD

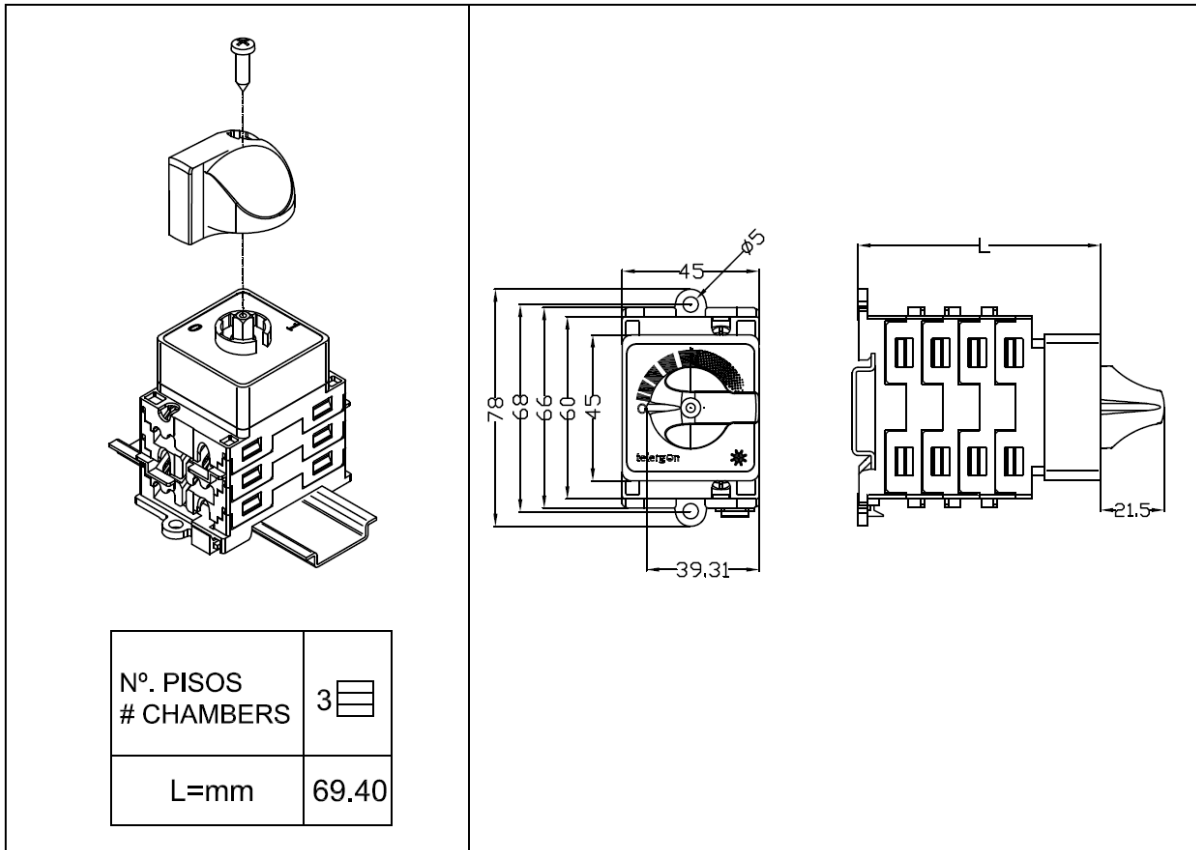
You will find detailed information about our products on our web site [www.india.gorlanteam.com](http://www.india.gorlanteam.com)



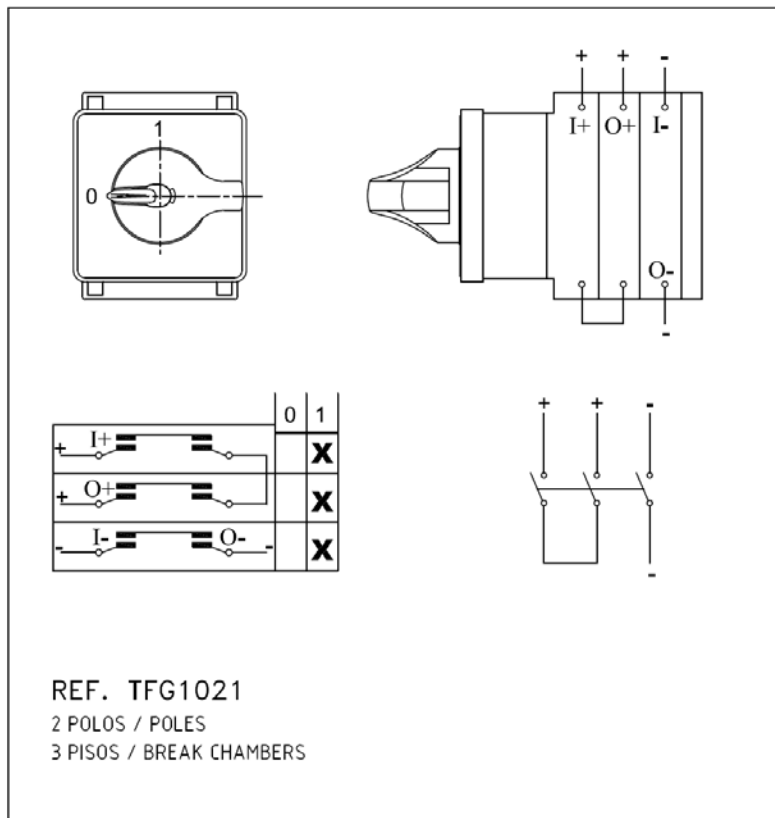
Load Break Switch  
TFG1021EHPN0

GORLAN INDIA.  
Data subject to change without  
notice (printed: 11/02/2019)

## Dimension & fixing



## Electrical diagram



You will find detailed information about our products on our web site [www.india.gorlanteam.com](http://www.india.gorlanteam.com)



Load Break Switch  
TFG1021EHPN0

GORLAN INDIA.  
Data subject to change without  
notice (printed: 11/02/2019)