

Breaker control switch AC Model T-1, 25A



Picture is an example

**Standards: IEC 60947-1 & 3
Quality**

ISO 9001:2015



Electrical data (according to IEC 60947-3)

Thermal current I_{th}	32A
Rated impulse withstand voltage U _{imp} (kV)	6
AC rated operational current, I _e	25A
AC rated operational voltage U _e	415V

AC Rated operational power, P_e		P_e
Voltage	Category of operation	
3x415 V	AC23A	11KW
3x415V	AC3	7.5 KW

Short-circuit behavior

Rated max.current of gL-gG fuses	25A
Conditional short-circuit current (rms value)	10KA

Connection capacity

Rigid copper conductor (mm ²)	2x6
Flexible copper conductor (mm ²)	2x4


Codes

Case size (A)	Scheme	Code	Switching Angle
25	3No + 3Nc	BC103L003	60°

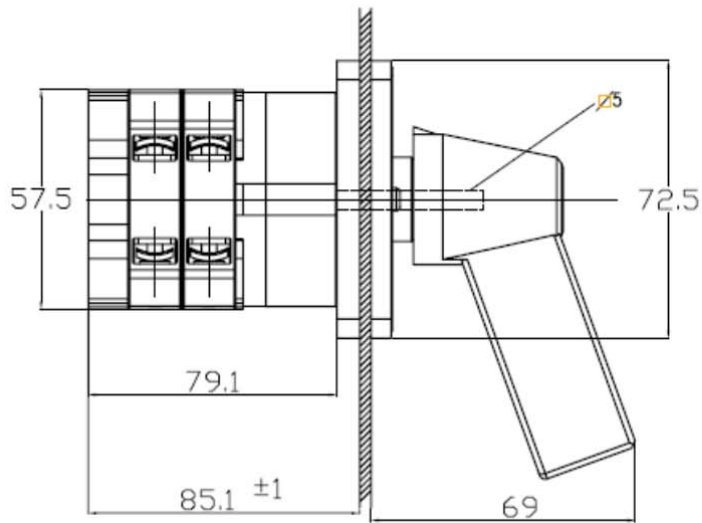
Accessories

With lever handle
Without LMD and seq lock

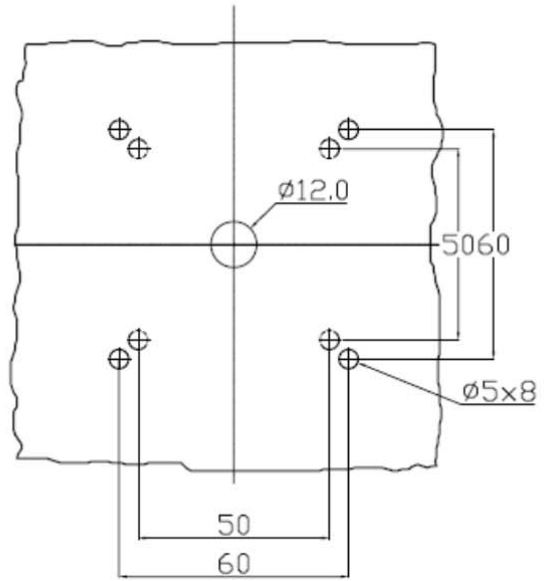
You will find detailed information about our products on our web site www.india.gorlanteam.com

	<p align="center">Breaker Control Switch BC103L003</p>	<p align="right">GORLAN INDIA. Data subject to change without notice (printed: 23/06/2020)</p>
---	---	--

Dimension

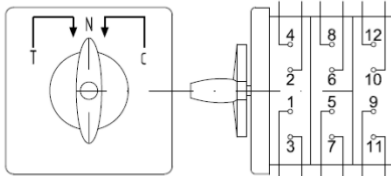


DRILLING PLAN



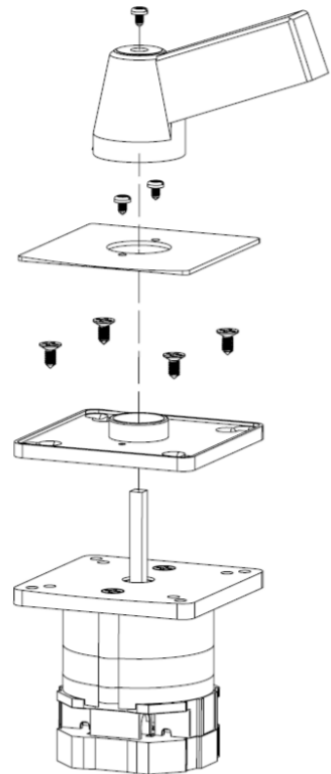
Electrical diagram & fixing

ELECTRICAL DIAGRAM No:



	T	N	C
1 = 2	X		
3 = 4			X
5 = 6	X		
7 = 8			X
9 = 10	X		
11 = 12			X

Ref: BC103L003
 3No + 3NC
 3break chambers



You will find detailed information about our products on our web site www.india.gorlanteam.com



**Breaker Control Switch
 BC103L003**

GORLAN INDIA.
 Data subject to change without
 notice (printed: 23/06/2020)