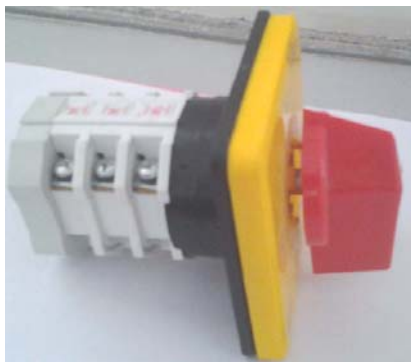


**Data sheet:****Cam switch AC  
Model 63A***Picture is an examples***Standards: IEC 60947-1 & 3  
Quality**

ISO 9001:2008



ISO 9001:2008

www.tuv.com  
ID 9105072142

<b>Thermal current I<sub>th</sub></b>	<b>63A</b>
Rated insulation voltage U <sub>i</sub>	690V
Rated impulse withstand voltage U <sub>imp</sub>	8KV

<b>Ac rated operational current</b>	<b>I<sub>e</sub></b>
415V AC21A	63A
415V AC22A	50A
690V AC21A	50A

<b>AC Rated operational power</b>	<b>Pe.</b>
<b>Voltage</b>	<b>Category of operation</b>
3x240V	AC23A
3x415V	AC23A
3x415V	AC3
	15
	18.5
	15

<b>Short-circuit behaviour</b>	
Rated breaking capacity(400V:PF.45)	320A
Short-time withstand current (1 sec) (rms)	800A
Conditional short-circuit current (rms value)	10KA
Rated max.current of gL-gG fuses	50A
Mechanical durability (In millions)	1

<b>Connection capacity</b>	
Rigid copper conductor (mm <sup>2</sup> )	2x10
Flexible copper conductor (mm <sup>2</sup> )	2x6

**Codes**

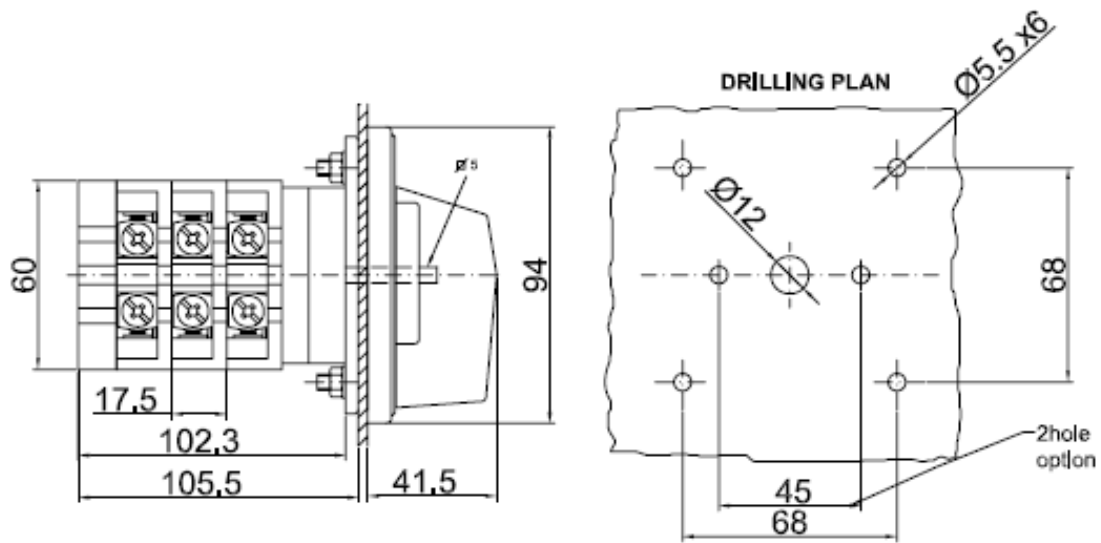
Case size (A)	Scheme	Code	Color	Special
Size 2	4P CHO	T-0006300403ENRH14	Red	NA

**Accessories**

STD accessories

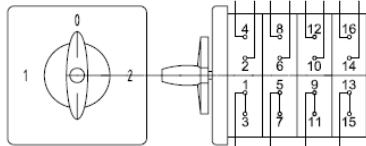
You will find detailed information about our products on our web site [www.gtswitches.com](http://www.gtswitches.com)
**Cam Switch**  
**T-0006300403ENRH14**
**GEM TELERGON.**  
 Data subject to change without  
 notice (printed: 28.01.2015)

## Dimension



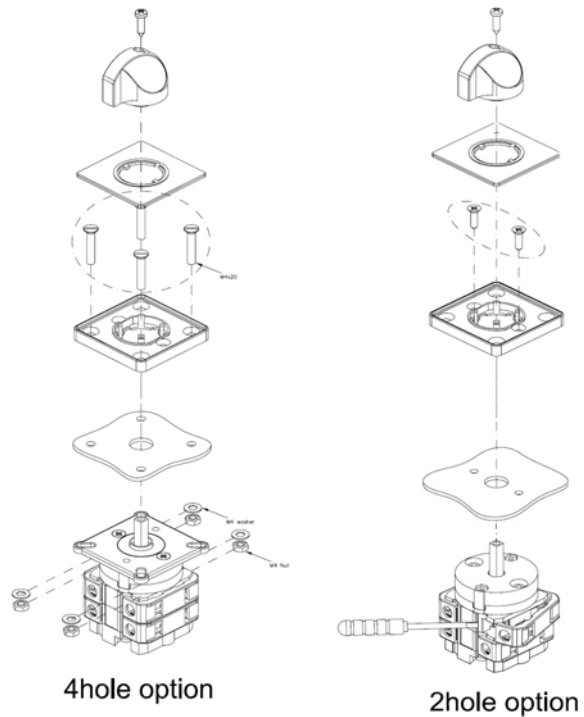
## Electrical diagram & Fixing

### ELECTRICAL DIAGRAM



	1	0	2
1-2	X		
3-4			X
5-6	X		
7-8			X
9-10	X		
11-12			X
13-14	X		
15-16			X

Ref: 63A 403  
4 Pole CMO Switch  
4 break chambers



You will find detailed information about our products on our web site [www.gtswitches.com](http://www.gtswitches.com)



Cam Switch  
T-0006300403ENRH14

GEM TELERGON.  
Data subject to change without  
notice (printed: 28.01.2015)