

Breaker control switch AC

Model T-1, 25A



Picture is an example

Standards: IEC 60947-1 & 3
Quality

ISO 9001:2015



Electrical data (according to IEC 60947-3)

Thermal current I_{th} **32A**

Rated impulse withstand voltage U_{imp} (kV) 6

AC rated operational current, I_e 25A

AC rated operational voltage U_e 415V

AC Rated operational power, P_e

Voltage	Category of operation	P _e
3x415 V	AC23A	11KW
3x415V	AC3	7.5 KW

Short-circuit behavior

Rated max.current of gL-gG fuses 25A

Conditional short-circuit current (rms value) 10KA

Connection capacity

Rigid copper conductor (mm ²)	2x6
Flexible copper conductor (mm ²)	2x4

Codes


Case size (A)	Scheme	Code	Switching Angle
25	6No + 6Nc	BC106L003	60°

Accessories

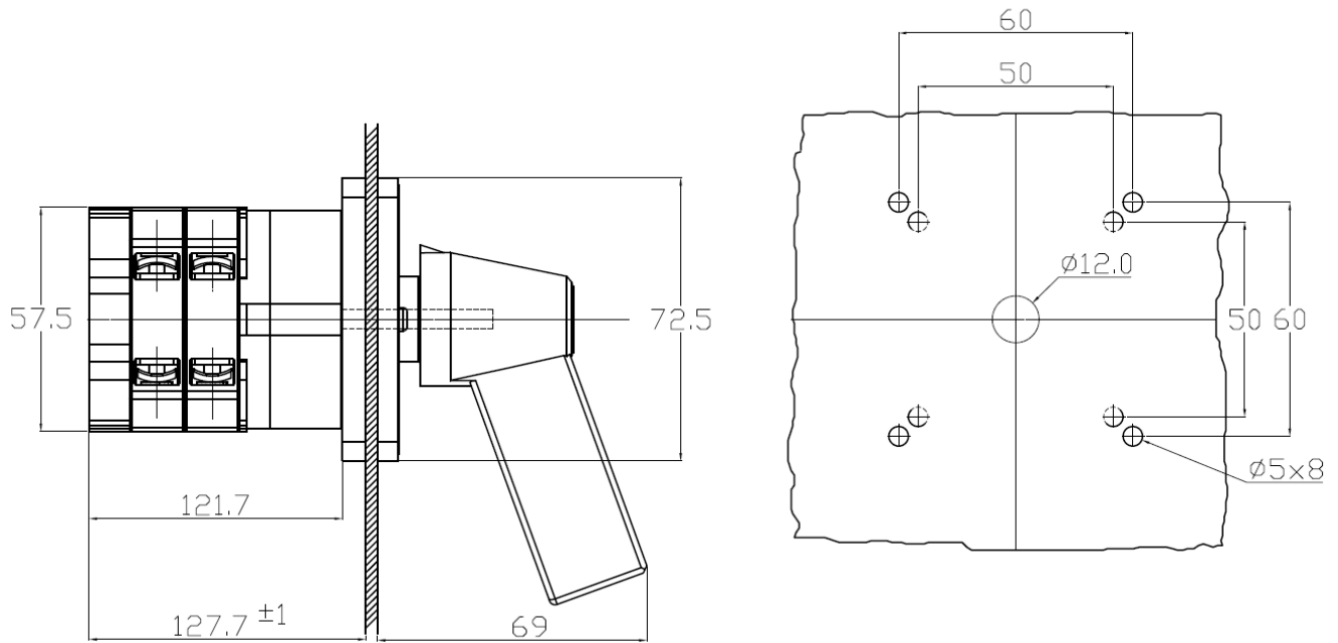
With lever handle

Without LMD and seq lock

You will find detailed information about our products on our web site www.india.gorlanteam.com

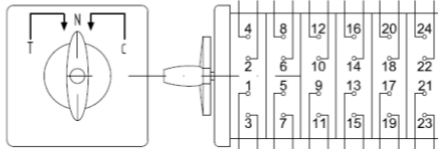
	<p align="center">Breaker Control Switch BC106L003</p>	<p align="right">GORLAN INDIA. Data subject to change without notice (printed: 23/06/2020)</p>
---	--	--

Dimension



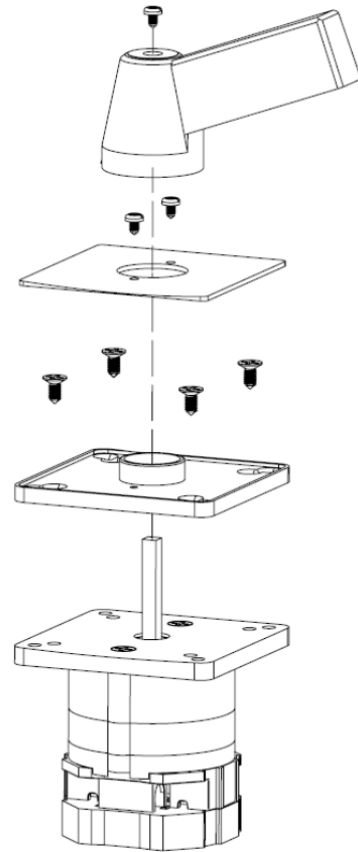
Electrical diagram & fixing

ELECTRICAL DIAGRAM No:



	T	N	C
1 = 2	X		
3 = 4			X
5 = 6	X		
7 = 8			X
9 = 10	X		
11 = 12			X
13 = 14	X		
15 = 16			X
17 = 18	X		
19 = 20			X
21 = 22	X		
23 = 24			X

Ref: BC106L003
 6No + 6NC
 6 break chambers



You will find detailed information about our products on our web site www.india.gorlanteam.com



Breaker Control Switch
BC106L003

GORLAN INDIA.
 Data subject to change without
 notice (printed: 23/06/2020)