

Data sheet:

Cam switch AC

Model 63A

gem telergon
gorlan team



Picture is an examples

Standards: IEC 60947-1 & 3 Quality

ISO 9001:2008



Electrical data (according to IEC 60947-3)

Thermal current I_{th}	63A
Rated insulation voltage U _i	690V
Rated impulse withstand voltage U _{imp}	8KV

Ac rated operational current	I_e
415V AC21A	63A
415V AC22A	50A
690V AC21A	50A

AC Rated operational power	Category of operation	P_e
Voltage		
3x240V	AC23A	15
3x415V	AC23A	18.5
3x415V	AC3	15

Short-circuit behaviour	
Rated breaking capacity(400V:PF.45)	320A
Short-time withstand current (1 sec) (rms)	800A
Conditional short-circuit current (rms value)	10KA
Rated max.current of gL-gG fuses	50A
Mechanical durability (In millions)	1

Connection capacity	
Rigid copper conductor (mm ²)	2x10
Flexible copper conductor (mm ²)	2x6


Codes

Case size (A)	Scheme	Code	Special
Size 1	2P 48V DC	T-0006340062	N/A

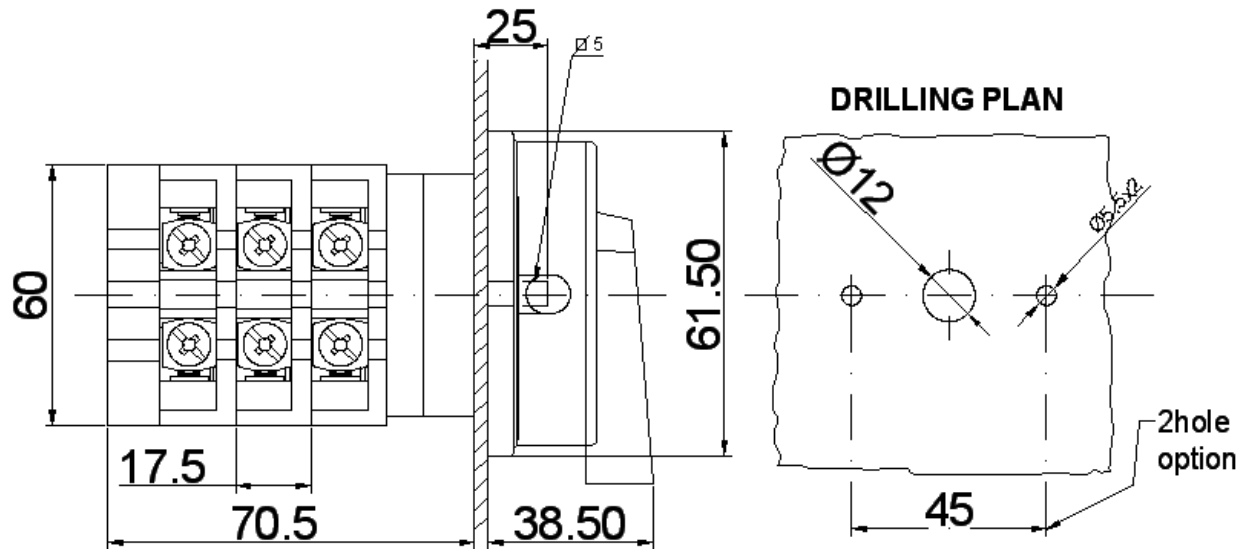
Accessories

Padlock handle

You will find detailed information about our products on our web site www.gtswitches.com

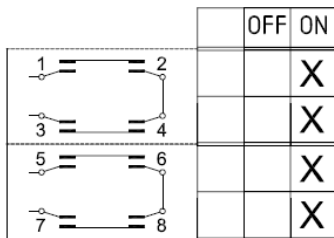
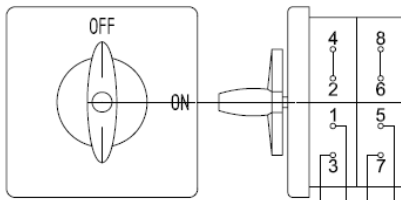
	Cam Switch T-0006340062	GEM TELERGON. Data subject to change without notice (printed: 12/06/2014)
---	--	--

Dimension

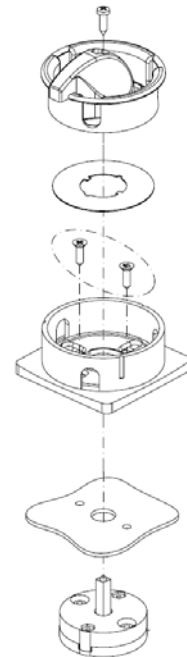


Electrical diagram & Fixing

ELECTRICAL DIAGRAM No: 013



Ref:63A 40062
 2 Pole ON-OFF 48V DC
 2 break chambers



2 Hole option

You will find detailed information about our products on our web site www.gtswitches.com



Cam Switch
 T-0006340062

GEM TELERGON.
 Data subject to change without
 notice (printed: 12/06/2014)