

Data sheet:

Load break switch DC

Model TFV DC21B 60A 600V 2+1

gem telergon
gorlan team



Picture is an examples

Standards: IEC 60947-1 & 3

Quality

ISO 9001:2008		ISO 9001:2008 www.tuv.com ID 9105072142
---------------	---	---

Testing as per IEC 60947-3. Approvals

Austrian Institute of Technology		AUSTRIAN INSTITUTE OF TECHNOLOGY TOMORROW TODAY
----------------------------------	--	--

Electrical data (according to IEC 60947-3)

Thermal current I_{th}	50A
Rated insulation voltage U _i (V)	1500
Rated impulse withstand voltage U _{imp} (kV)	6

DC Rated operational current I_e (A)

Voltage (DC)	Category of operation	I _e
600 V	DC21B	60

** Please consult for other voltages and/or category of operation

Short-circuit behaviour

Short-circuit making capacity (peak value) I _{cm}	300A
Short-time withstand current (1 sec) (rms) I _{cw}	300A
Short-time withstand current (1 hour) (I _{th} *1.25)	62.5A
Conditional short-circuit current (rms value)	N/A

Connection capacity

Stranded or Flex cable -w/o Sleeve (mm ²)	2x6
Stranded or Flex cable -with Sleeve (mm ²)	2x4
Crimp fork lug width (mm) Min 6 - Max	10
Crimp fork lug Thick (mm) Min 0.5 - Max	2
Fork lug (mm ²) Type: ANE2U4	10
Fork lug (mm ²) Type: ANE3U4	16
Tightening torque (Nm)	1.5-2

Mechanical data

Minimum number of operations (as per standard) without load	30000
Maximum weight (kg)	-----

Codes

Case size (A)	Scheme	Color	Code	Special
Size 0	2+1(2)	Black/Grey	TFV0621(2)EE6N1	2MPP(6decks)

Accessories

Padlockable handle assembly T0 DT-70401N07M

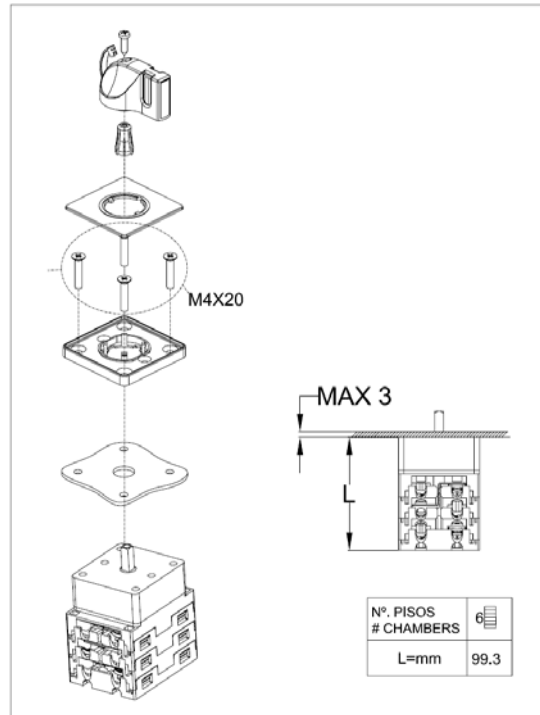
You will find detailed information about our products on our web site www.gtswitches.com



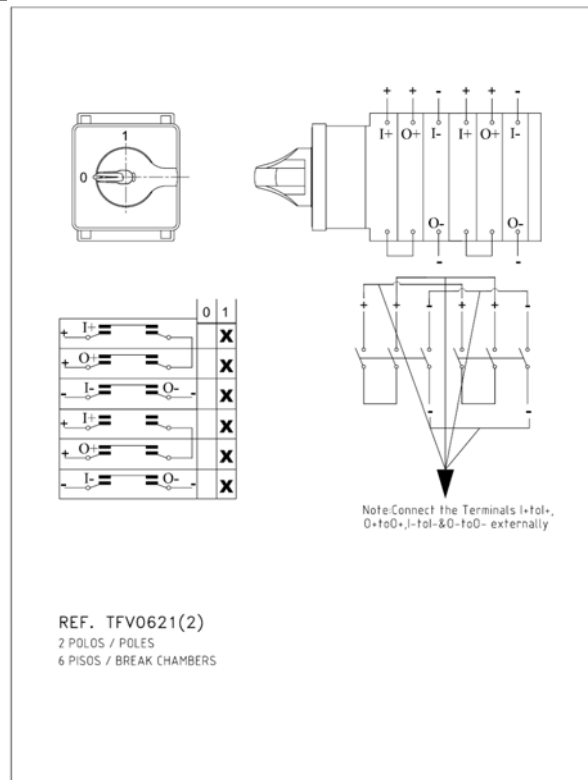
Load Break Switch
TFV0621(2)EE6N1

GEM TELERGON.
Data subject to change without
notice (printed:06.09.2014)

Dimension & fixing



Electrical diagram



You will find detailed information about our products on our web site www.gtswitches.com



Load Break Switch
TFV0621(2)EE6N1

GEM TELERGON.
Data subject to change without
notice (printed:06.09.2014)