

Data sheet:

Breaker control switch AC Model T-1, 25A



Picture is an example

Standards: IEC 60947-1 & 3 Quality

ISO 9001:2015



Electrical data (according to IEC 60947-3)

Thermal current I_{th}	32A
Rated insulation voltage U _i (V)	690
Rated impulse withstand voltage U _{imp} (kV)	6
AC rated operational current, I _e	25A
AC rated operational voltage U _e	415V

AC Rated operational power, P_e		
Voltage	Category of operation	P_e
3x415 V	AC23A	11 kw
3x415V	AC3	7.5 kw

Short-circuit behavior

Rated max.current of gL-gG fuses	25A
Conditional short-circuit current (rms value)	10KA

Connection capacity

Rigid copper conductor (mm ²)	2x6
Flexible copper conductor (mm ²)	2x4

Codes

Case size (A)	Scheme	Code	Switching Angle
25	2NO on both side with SR+LMD 2P on NC	BC202L02003	60°

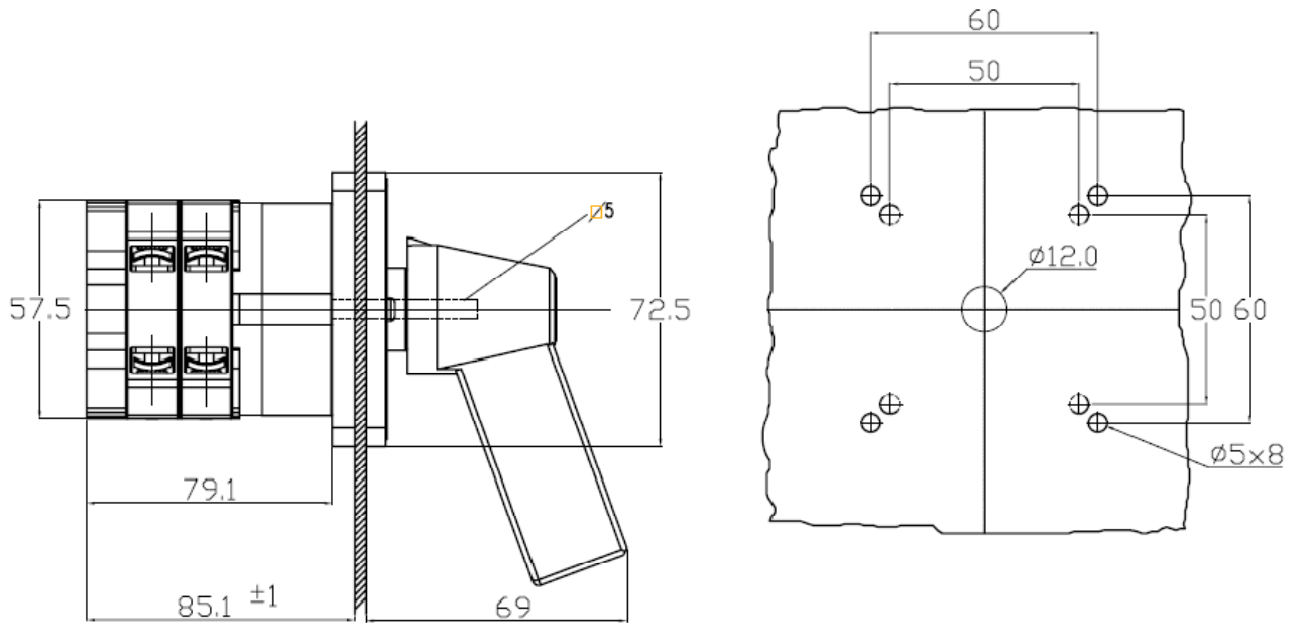
Accessories

- With lever handle
- With Spring return+LMD

You will find detailed information about our products on our web site www.india.gorlanteam.com

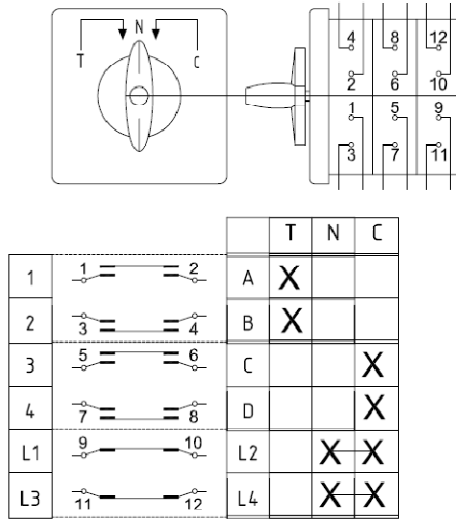
	Breaker Control Switch BC202L02003	<i>GORLAN INDIA. Data subject to change without notice (printed: 06/06/2017)</i>
--	---	--

Dimension

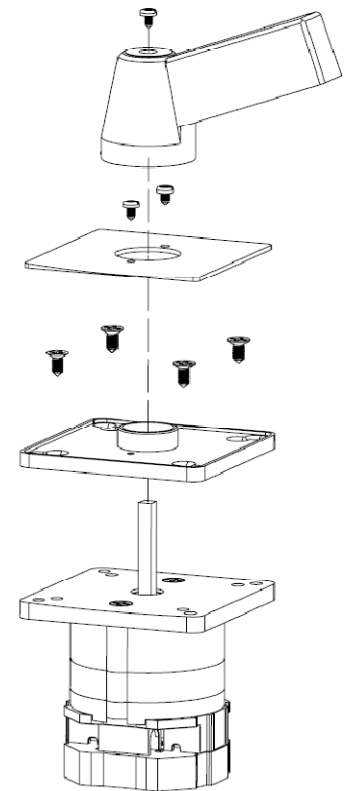


Electrical diagram & fixing

ELECTRICAL DIAGRAM No



Ref: 25A
 2NO on both side
 SR+LMD 2P on NC
 3 break chambers



You will find detailed information about our products on our web site www.india.gorlanteam.com



Breaker Control Switch
BC202L02003

GORLAN INDIA.
 Data subject to change without
 notice (printed: 06/06/2017)